

DIXIE-NARCO

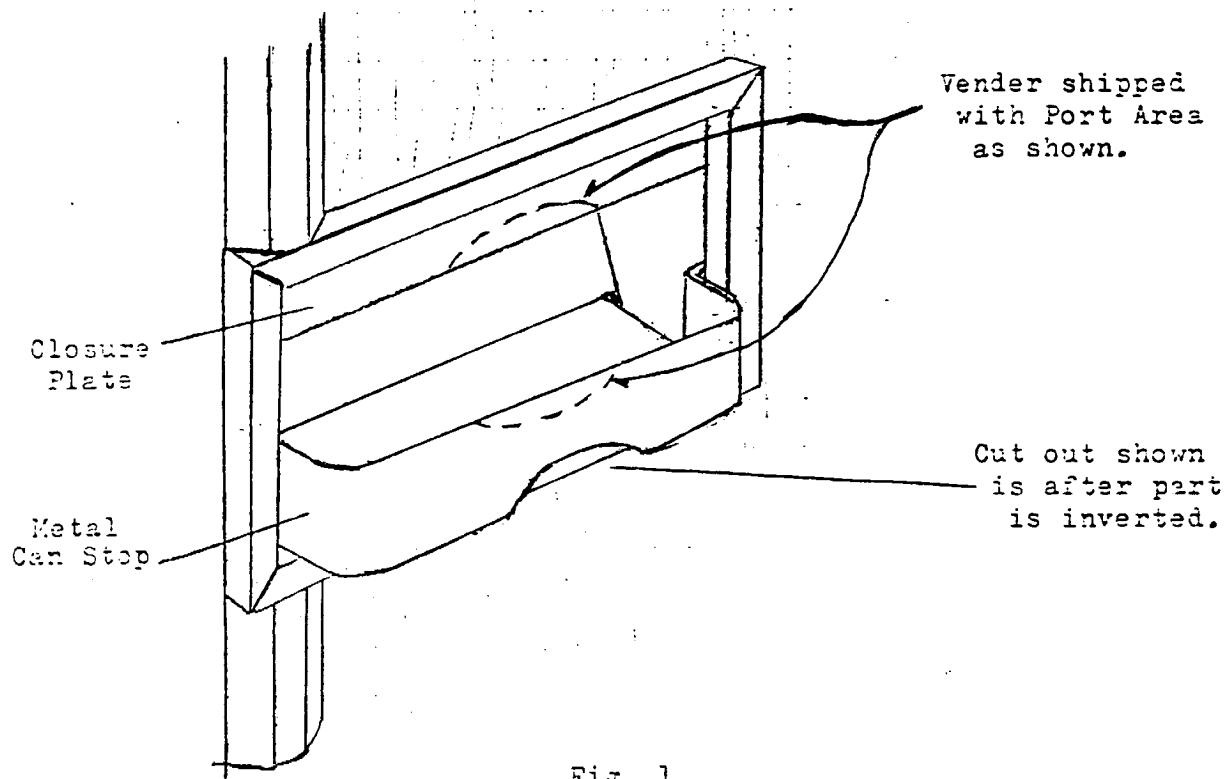
Service Bulletin # 145

Date: 10/16/72

MODELS: All Adaptables with Metal Can Stops as shown in Fig. 1.

SUBJECT: Can Stealing

REASON: To make all concerned aware that there is an adjustment that can be made if cans are being stolen from the vender.



1. Vender is shipped with "cut outs" (dotted lines) as shown on Closure Plate and Can Stop.
In this position both bottles and cans will vend.
2. To prevent can stealing,
 - a. Remove nuts and screws which secure the parts in the port area.
 - b. Invert both the Closure Plate and the Can Stop.
 - c. Secure all nuts and bolts.In this position, cans only will vend satisfactorily.

Dixie-Narco, Inc.
Service Department